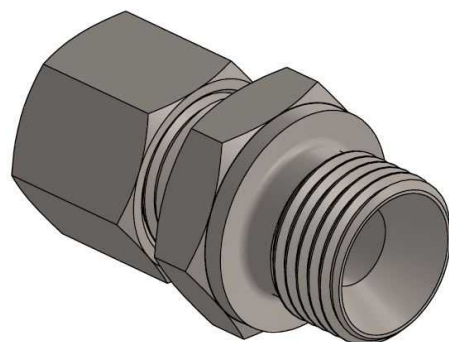
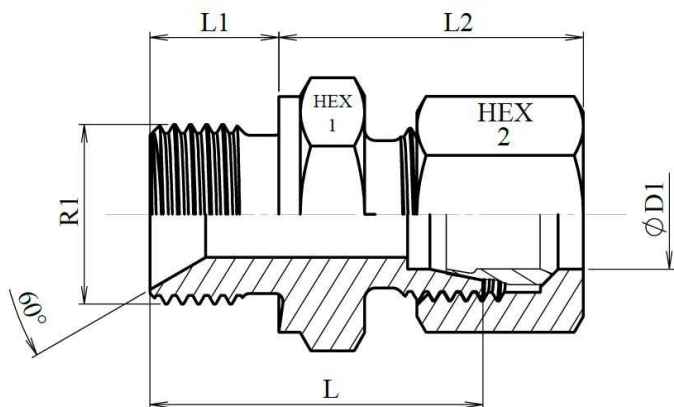


Racores DIN 2353

Uniones rectas tubo-rosca

Racor recto rosca cilíndrica BSP cono 60º

Acero Inoxidable AISI 316-L



Artículo	ØD1	Serie	R1	Presión trabajo (bar)	L	L1	L2	HEX 1	HEX 2
Z AL 6 RC 1/8	6	L	1/8" BSP	315	23,5	8	23,5	14	14
Z AL 6 RC 1/4	6	L	1/4" BSP	315	29	12	25	19	14
Z AL 6 RC 3/8	6	L	3/8" BSP	315	30,5	12	26,5	22	14
Z AL 6 RC 1/2	6	L	1/2" BSP	315	33	14	23,5	27	14
Z AL 8 RC 1/8	8	L	1/8" BSP	315	24,5	8	24	14	17
Z AL 8 RC 1/4	8	L	1/4" BSP	315	29	12	25	19	17
Z AL 8 RC 3/8	8	L	3/8" BSP	315	30,5	12	26,5	22	17
Z AL 8 RC 1/2	8	L	1/2" BSP	315	33	14	26,5	27	17
Z AL 10 RC 1/8	10	L	1/8" BSP	315	25,5	8	25,5	17	19
Z AL 10 RC 1/4	10	L	1/4" BSP	315	30	12	26	19	19
Z AL 10 RC 3/8	10	L	3/8" BSP	315	31,5	12	27,5	22	19
Z AL 10 RC 1/2	10	L	1/2" BSP	315	34	14	28	27	19
Z AL 12 RC 1/4	12	L	1/4" BSP	315	31	12	27	19	22
Z AL 12 RC 3/8	12	L	3/8" BSP	315	31,5	12	27,5	22	22
Z AL 12 RC 1/2	12	L	1/2" BSP	315	34	14	28	27	22
Z AL 15 RC 3/8	15	L	3/8" BSP	315	32,5	12	29	24	27
Z AL 15 RC 1/2	15	L	1/2" BSP	315	35	14	29	27	27
Z AL 15 RC 3/4	15	L	3/4" BSP	315	38	16	30	32	27
Z AL 18 RC 1/2	18	L	1/2" BSP	315	36	14	31	27	32
Z AL 18 RC 3/4	18	L	3/4" BSP	315	38	16	31	32	32
Z AL 18 RC 3/8	18	L	3/8" BSP	160	38	12	34	41	41
Z AL 22 RC 3/8	22	L	3/8" BSP	160	35,5	12	32,5	32	36
Z AL 22 RC 1/2	22	L	1/2" BSP	160	38	14	33	32	36
Z AL 22 RC 3/4	22	L	3/4" BSP	160	40	16	33	32	36
Z AL 22 RC 1	22	L	1" BSP	160	43	18	34	41	36
Z AL 28 RC 3/4	28	L	3/4" BSP	160	41	16	34	41	41
Z AL 28 RC 1	28	L	1" BSP	160	43	19	34	41	41

Racores DIN 2353

Uniones rectas tubo-rosca

Racor recto rosca cilíndrica BSP cono 60º

Acero Inoxidable AISI 316-L

2/2

Artículo	ØD1	Serie	R1	Presión trabajo (bar)	L	L1	L2	HEX 1	HEX 2
Z AL 35 RC 1 1/4	35	L	1"1/4 BSP	160	48	20	39	50	50
Z AL 42 RC 1 1/2	42	L	1"1/2 BSP	160	52	22	42	55	60
Z AS 6 RC 1/4	6	S	1/4" BSP	630	32	12	28	19	17
Z AS 6 RC 3/8	6	S	3/8" BSP	630	35	12	31	22	17
Z AS 8 RC 1/4	8	S	1/4" BSP	630	34	12	30	19	19
Z AS 8 RC 3/8	8	S	3/8" BSP	630	34,5	12	30,5	22	19
Z AS 8 RC 1/2	8	S	1/2" BSP	630	36	14	30	27	19
Z AS 10 RC 1/4	10	S	1/4" BSP	630	34	12	31	19	22
Z AS 10 RC 3/8	10	S	3/8" BSP	630	34,5	12	31	22	22
Z AS 10 RC 1/2	10	S	1/2" BSP	630	39	14	34	27	22
Z AS 12 RC 1/4	12	S	1/4" BSP	630	36	12	33	22	24
Z AS 12 RC 3/8	12	S	3/8" BSP	630	36,5	12	33,5	22	24
Z AS 12 RC 1/2	12	S	1/2" BSP	630	39	14	34	27	24
Z AS 14 RC 3/8	14	S	3/8" BSP	630	38,5	12	36,5	24	27
Z AS 14 RC 1/2	14	S	1/2" BSP	630	41	14	37	27	27
Z AS 16 RC 3/8	16	S	3/8" BSP	400	38,5	12	36,5	27	30
Z AS 16 RC 1/2	16	S	1/2" BSP	400	41	14	37	27	30
Z AS 16 RC 3/4	16	S	3/4" BSP	400	45	16	39	32	30
Z AS 20 RC 1/2	20	S	1/2" BSP	400	45	14	42	32	36
Z AS 20 RC 3/4	20	S	3/4" BSP	400	47	16	42	32	36
Z AS 20 RC 1	20	S	1" BSP	400	51	18	44	41	36
Z AS 25 RC 3/4	25	S	3/4" BSP	400	51	16	47	41	46
Z AS 25 RC 1	25	S	1" BSP	400	53	18	47	41	46
Z AS 30 RC 1	30	S	1" BSP	400	55	18	50	46	50
Z AS 30 RC 1 1/4	30	S	1"1/4 BSP	400	57	20	50	50	50
Z AS 30 RC 1 1/2	30	S	1"1/2 BSP	400	64	22	55	55	55
Z AS 38 RC 1 1/4	38	S	1"1/4 BSP	315	62	20	57	55	60